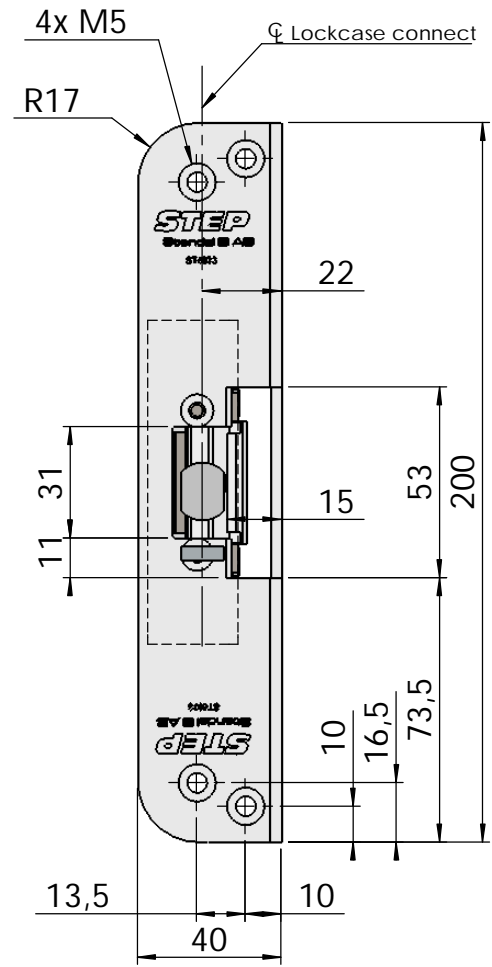
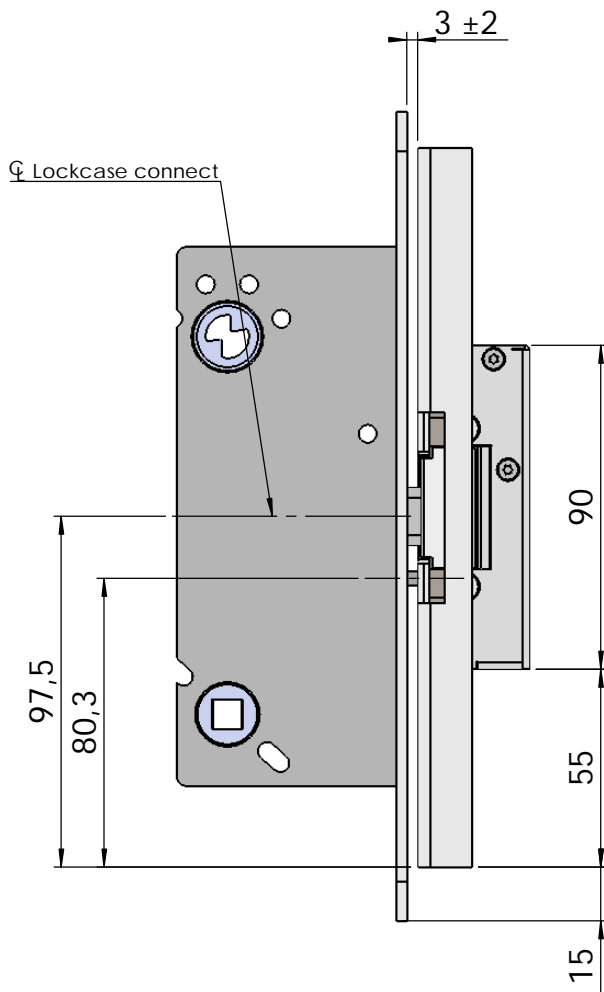
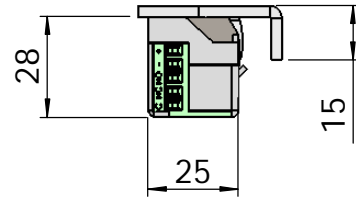




# Montering för Connect

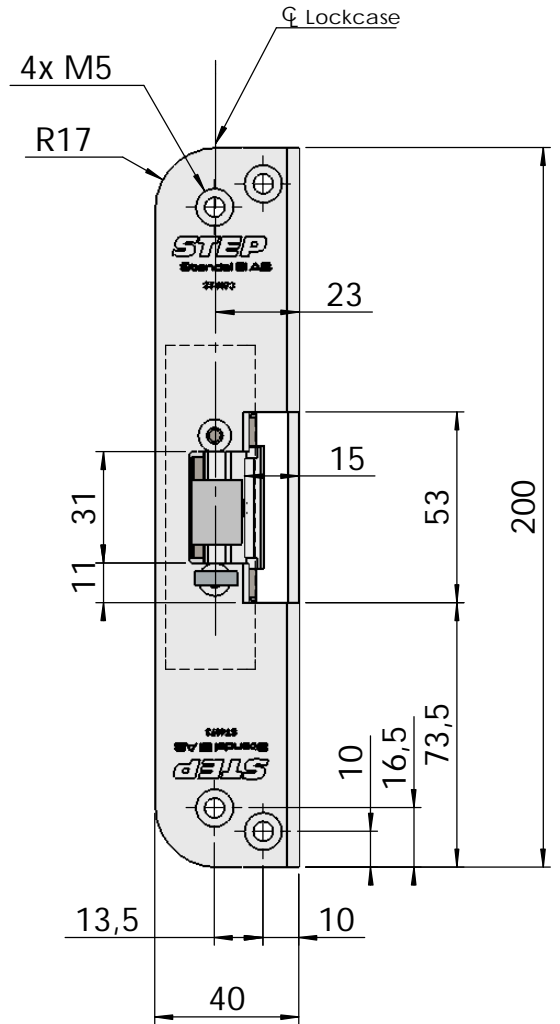
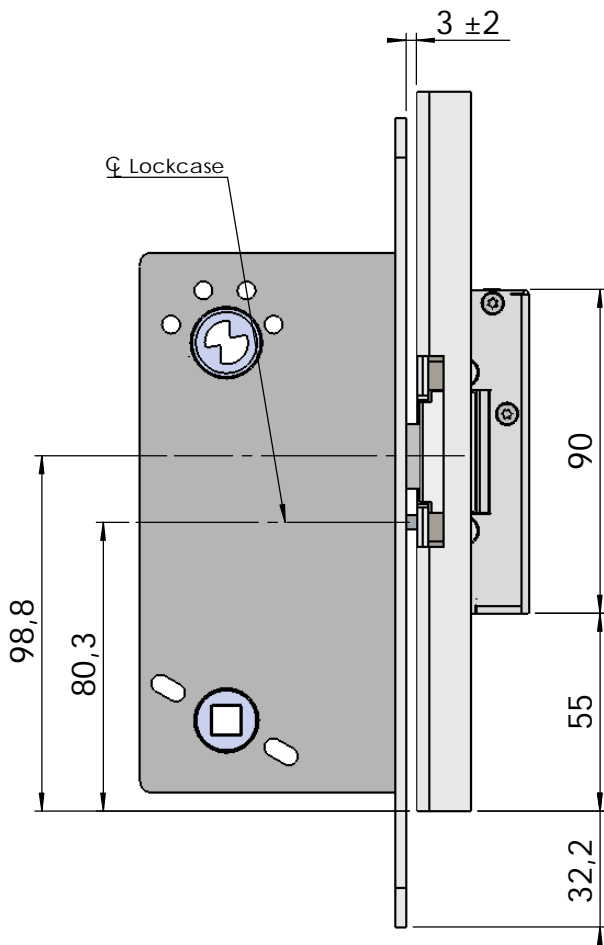
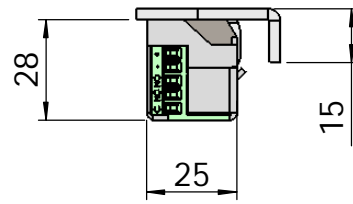


This document shall not be copied without owners written allowance and its content shall not be exposed for third part nor be used for unauthorized purpose.

<p>Owner</p> <h2>Stendals EI AB</h2>	<p>Title/Description</p> <p>STEP 40 med vinklad stolpe plös 15mm Montering för Connect</p>	<p>Scale</p> <p>1:2</p>
<p>Drawing no.</p> <p>ST4005-15</p>		



# Montering för Modul



This document shall not be copied without owners written allowance and its content shall not be exposed for third part nor be used for unauthorized purpose.

Owner  
**Stendals EI AB**

Title/Description  
**STEP 40 med vinklad stolpe plös 15mm**  
**Montering för Modul**

Drawing no.  
**ST4073**

Scale  
**1:2**